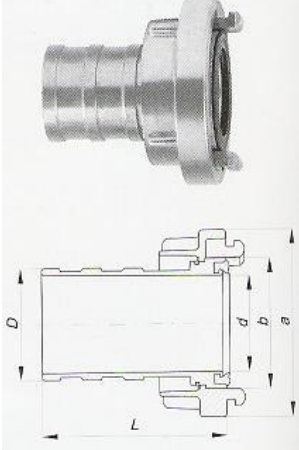
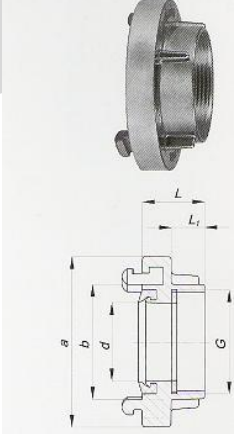
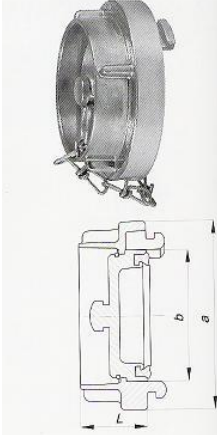


FLOW SAFE EQUIPMENT CC

STORZ COUPLINGS

Both halves of the coupling are of identical symmetrical design and there are no male or female parts. Either half can be connected to any similar size of half coupling provided that the distance between the locking lugs is the same on both fittings.

	<p style="text-align: center;">“Storz” Hose Tail</p> <table border="1" data-bbox="801 730 1402 871"> <thead> <tr> <th>NB</th> <th>D (mm)</th> <th>b (mm)</th> <th>L (mm)</th> </tr> </thead> <tbody> <tr> <td>100</td> <td>100</td> <td>133</td> <td>170</td> </tr> <tr> <td>80</td> <td>76</td> <td>89</td> <td>124</td> </tr> <tr> <td>80 x 65</td> <td>65</td> <td>89</td> <td>124</td> </tr> </tbody> </table>	NB	D (mm)	b (mm)	L (mm)	100	100	133	170	80	76	89	124	80 x 65	65	89	124
NB	D (mm)	b (mm)	L (mm)														
100	100	133	170														
80	76	89	124														
80 x 65	65	89	124														
<p style="text-align: center;">“Storz” Screwed BSP Female</p> <table border="1" data-bbox="169 1205 770 1377"> <thead> <tr> <th>NB</th> <th>D (mm)</th> <th>b (mm)</th> <th>G Thread</th> </tr> </thead> <tbody> <tr> <td>100</td> <td>100</td> <td>133</td> <td>100 BSP</td> </tr> <tr> <td>80</td> <td>76</td> <td>89</td> <td>80 BSP</td> </tr> <tr> <td>80 x 65</td> <td>65</td> <td>89</td> <td>65 BSP</td> </tr> </tbody> </table>	NB	D (mm)	b (mm)	G Thread	100	100	133	100 BSP	80	76	89	80 BSP	80 x 65	65	89	65 BSP	
NB	D (mm)	b (mm)	G Thread														
100	100	133	100 BSP														
80	76	89	80 BSP														
80 x 65	65	89	65 BSP														
	<p style="text-align: center;">“Storz” Cap</p> <table border="1" data-bbox="801 1657 1402 1762"> <thead> <tr> <th>NB</th> <th>b (mm)</th> <th>L (mm)</th> </tr> </thead> <tbody> <tr> <td>100</td> <td>133</td> <td>46</td> </tr> <tr> <td>80</td> <td>89</td> <td>40</td> </tr> </tbody> </table>	NB	b (mm)	L (mm)	100	133	46	80	89	40							
NB	b (mm)	L (mm)															
100	133	46															
80	89	40															